

GN 425.1

Cabinet "U" handles

Steel / Aluminium / Stainless Steel



Specification

Version in Steel

Steel

plastic coated
black, RAL 9005, textured finish **SW**

chrome-plated **CR**
blackened **BT**

Location discs
Zinc die casting, nickel plated

Version in Aluminium

Aluminium **AL**

plastic coated
black, RAL 9005, textured finish **SW**
silver, RAL 9006, textured finish **SR**
red, RAL 3000, textured finish **RS**

anodized, natural colour **EL**

Version in Stainless Steel

- AISI 303 / AISI 304 (A2) **NI**
- matt shot-blasted **GS**
- electropolished **EP**

Stainless Steel AISI 316L **A4**
matte shot-blasted **GS**

Location discs
Stainless Steel AISI 303 / AISI 316L

Information

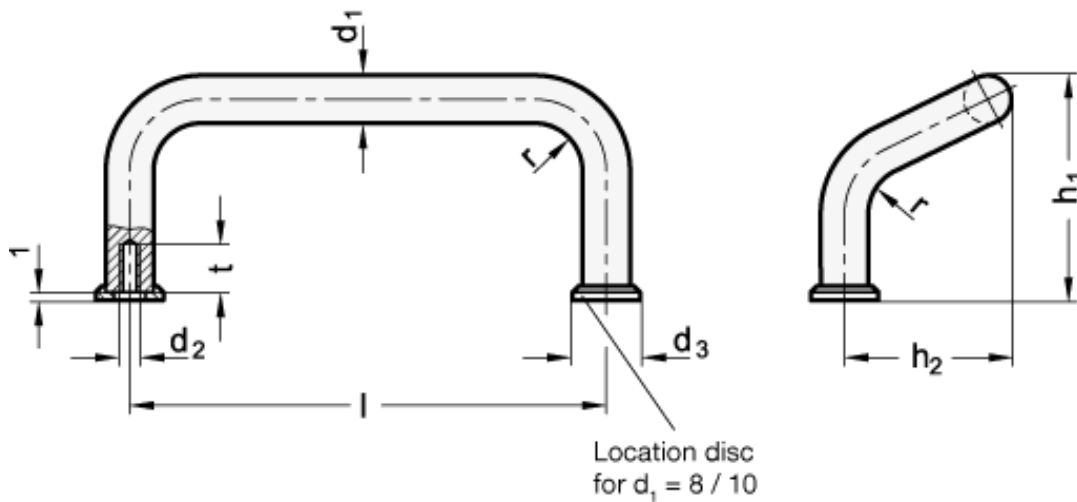
Cabinet "U" handles GN 425.1 Ø 8 and Ø 10 are supplied with two location discs. They guarantee a perfect location even with large holes in the cabinet. The discs are loosely enclosed.

The chrome-plated design is only conditionally suitable for outdoor use. The stainless steel design version should be given preference.

The manufacturing process (bending) allows the production of **special lengths** in relatively small quantities.

Technical information

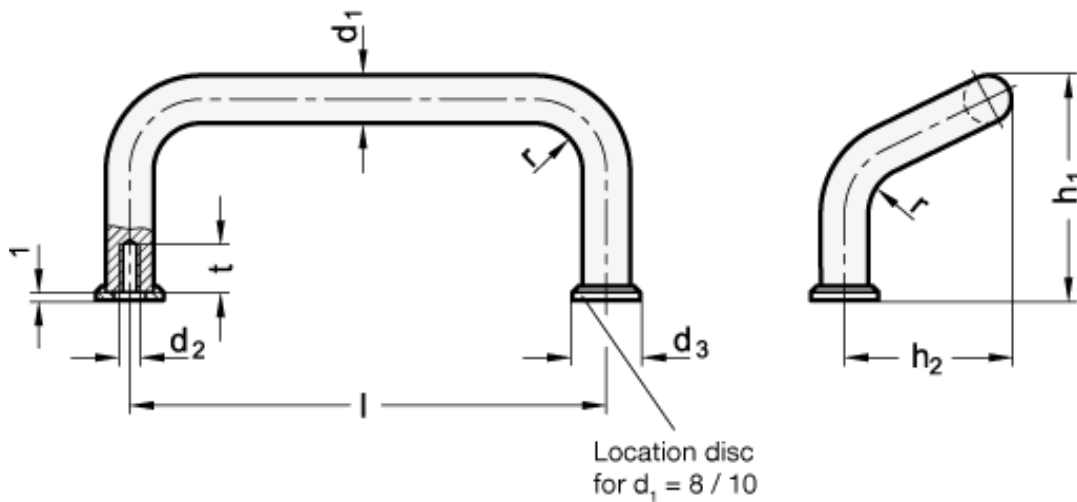
- [Stainless Steel characteristics](#)
- [Load rating information](#)







- Black (RAL 9005) Black
- Blackened Blackened
- Chrome-plated Chrome-plated

GN 425.1

Description	d ₁	l ±0.25	d ₂	d ₃	h ₁	h ₂	r	t min.	Weight
GN 425.1-8-55-BT	8	55**	M 4	12	40	30	9	8	57
GN 425.1-8-55-CR	8	55**	M 4	12	40	30	9	8	57
GN 425.1-8-55-SW	8	55**	M 4	12	40	30	9	8	58
GN 425.1-8-64-BT	8	64	M 4	12	40	30	9	8	63
GN 425.1-8-64-CR	8	64	M 4	12	40	30	9	8	62
GN 425.1-8-64-SW	8	64	M 4	12	40	30	9	8	63
GN 425.1-8-88-BT	8	88**	M 4	12	40	30	9	8	70
GN 425.1-8-88-CR	8	88**	M 4	12	40	30	9	8	70
GN 425.1-8-88-SW	8	88**	M 4	12	40	30	9	8	70
GN 425.1-8-96-BT	8	96	M 4	12	40	30	9	8	74
GN 425.1-8-96-CR	8	96	M 4	12	40	30	9	8	74
GN 425.1-8-96-SW	8	96	M 4	12	40	30	9	8	75
GN 425.1-8-100-BT	8	100	M 4	12	40	30	9	8	74
GN 425.1-8-100-CR	8	100	M 4	12	40	30	9	8	76
GN 425.1-8-100-SW	8	100	M 4	12	40	30	9	8	76
GN 425.1-10-88-BT	10	88**	M 5	15	47	35	11	12	113
GN 425.1-10-88-CR	10	88**	M 5	15	47	35	11	12	120
GN 425.1-10-88-SW	10	88**	M 5	15	47	35	11	12	113
GN 425.1-10-100-BT	10	100	M 5	15	47	35	11	12	120
GN 425.1-10-100-CR	10	100	M 5	15	47	35	11	12	101
GN 425.1-10-100-SW	10	100	M 5	15	47	35	11	12	100
GN 425.1-10-120-BT	10	120**	M 5	15	47	35	11	12	132
GN 425.1-10-120-CR	10	120**	M 5	15	47	35	11	12	130
GN 425.1-10-120-SW	10	120**	M 5	15	47	35	11	12	132
GN 425.1-10-180-BT	10	180	M 5	15	47	35	11	12	120
GN 425.1-10-180-CR	10	180	M 5	15	47	35	11	12	175
GN 425.1-10-180-SW	10	180	M 5	15	47	35	11	12	40
GN 425.1-10-200-BT	10	200	M 5	15	47	35	11	12	4
GN 425.1-10-200-CR	10	200	M 5	15	47	35	11	12	188
GN 425.1-10-200-SW	10	200	M 5	15	47	35	11	12	4
GN 425.1-12-125-BT	12	125	M 6	-	60	44	12	12	222
GN 425.1-12-125-CR	12	125	M 6	-	60	44	12	12	220
GN 425.1-12-125-SW	12	125	M 6	-	60	44	12	12	221
GN 425.1-12-160-BT	12	160	M 6	-	60	44	12	12	251
GN 425.1-12-160-CR	12	160	M 6	-	60	44	12	12	380
GN 425.1-12-160-SW	12	160	M 6	-	60	44	12	12	251
GN 425.1-12-200-BT	12	200	M 6	-	60	44	12	12	295
GN 425.1-12-200-CR	12	200	M 6	-	60	44	12	12	380
GN 425.1-12-200-SW	12	200	M 6	-	60	44	12	12	286
GN 425.1-12-250-BT	12	250	M 6	-	60	44	12	12	339
GN 425.1-12-250-CR	12	250	M 6	-	60	44	12	12	380
GN 425.1-12-250-SW	12	250	M 6	-	60	44	12	12	332

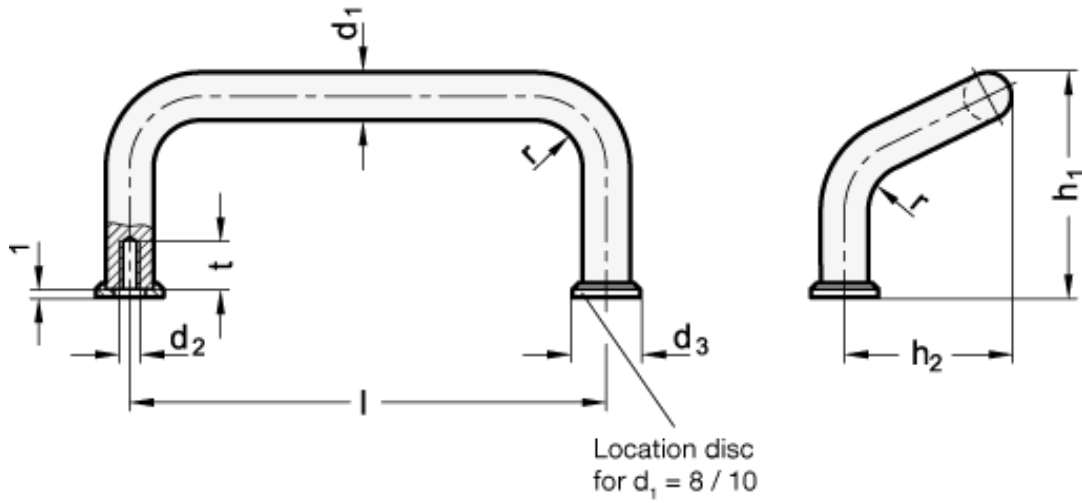


	Anodized, natural colour	Anodized
	Black (RAL 9005)	Black
	Red (RAL 3000)	Red
	Silver (RAL 9006)	Silver

GN 425.1-AL

Description	d ₁	l ±0.25	d ₂	d ₃	h ₁	h ₂	r	t min.	Weight
GN 425.1-AL-8-55-EL	8	55**	M 4	12	40	30	9	8	50
GN 425.1-AL-8-55-SR	8	55**	M 4	12	40	30	9	8	23
GN 425.1-AL-8-55-RS	8	55**	M 4	12	40	30	9	8	23
GN 425.1-AL-8-55-SW	8	55**	M 4	12	40	30	9	8	24
GN 425.1-AL-8-64-EL	8	64	M 4	12	40	30	9	8	27
GN 425.1-AL-8-64-SR	8	64	M 4	12	40	30	9	8	24
GN 425.1-AL-8-64-RS	8	64	M 4	12	40	30	9	8	25
GN 425.1-AL-8-64-SW	8	64	M 4	12	40	30	9	8	24
GN 425.1-AL-8-88-EL	8	88**	M 4	12	40	30	9	8	27
GN 425.1-AL-8-88-SR	8	88**	M 4	12	40	30	9	8	28
GN 425.1-AL-8-88-RS	8	88**	M 4	12	40	30	9	8	28
GN 425.1-AL-8-88-SW	8	88**	M 4	12	40	30	9	8	28
GN 425.1-AL-8-96-EL	8	96	M 4	12	40	30	9	8	27
GN 425.1-AL-8-96-SR	8	96	M 4	12	40	30	9	8	29
GN 425.1-AL-8-96-RS	8	96	M 4	12	40	30	9	8	29
GN 425.1-AL-8-96-SW	8	96	M 4	12	40	30	9	8	30
GN 425.1-AL-8-100-EL	8	100	M 4	12	40	30	9	8	29
GN 425.1-AL-8-100-SR	8	100	M 4	12	40	30	9	8	27
GN 425.1-AL-8-100-RS	8	100	M 4	12	40	30	9	8	28
GN 425.1-AL-8-100-SW	8	100	M 4	12	40	30	9	8	31
GN 425.1-AL-10-88-EL	10	88**	M 5	15	47	35	11	12	44
GN 425.1-AL-10-88-SR	10	88**	M 5	15	47	35	11	12	44
GN 425.1-AL-10-88-RS	10	88**	M 5	15	47	35	11	12	4
GN 425.1-AL-10-88-SW	10	88**	M 5	15	47	35	11	12	44
GN 425.1-AL-10-100-EL	10	100	M 5	15	47	35	11	12	47
GN 425.1-AL-10-100-SR	10	100	M 5	15	47	35	11	12	0
GN 425.1-AL-10-100-RS	10	100	M 5	15	47	35	11	12	40
GN 425.1-AL-10-100-SW	10	100	M 5	15	47	35	11	12	47
GN 425.1-AL-10-120-EL	10	120**	M 5	15	47	35	11	12	52
GN 425.1-AL-10-120-SR	10	120**	M 5	15	47	35	11	12	50
GN 425.1-AL-10-120-RS	10	120**	M 5	15	47	35	11	12	50
GN 425.1-AL-10-120-SW	10	120**	M 5	15	47	35	11	12	54
GN 425.1-AL-10-180-EL	10	180	M 5	15	47	35	11	12	64
GN 425.1-AL-10-180-SR	10	180	M 5	15	47	35	11	12	0
GN 425.1-AL-10-180-RS	10	180	M 5	15	47	35	11	12	4
GN 425.1-AL-10-180-SW	10	180	M 5	15	47	35	11	12	65
GN 425.1-AL-10-200-EL	10	200	M 5	15	47	35	11	12	68
GN 425.1-AL-10-200-SR	10	200	M 5	15	47	35	11	12	0
GN 425.1-AL-10-200-RS	10	200	M 5	15	47	35	11	12	4
GN 425.1-AL-10-200-SW	10	200	M 5	15	47	35	11	12	70
GN 425.1-AL-12-125-EL	12	125	M 6	-	60	44	12	12	79
GN 425.1-AL-12-125-SR	12	125	M 6	-	60	44	12	12	76
GN 425.1-AL-12-125-RS	12	125	M 6	-	60	44	12	12	76
GN 425.1-AL-12-125-SW	12	125	M 6	-	60	44	12	12	78
GN 425.1-AL-12-160-EL	12	160	M 6	-	60	44	12	12	90
GN 425.1-AL-12-160-SR	12	160	M 6	-	60	44	12	12	89
GN 425.1-AL-12-160-RS	12	160	M 6	-	60	44	12	12	89
GN 425.1-AL-12-160-SW	12	160	M 6	-	60	44	12	12	90
GN 425.1-AL-12-200-EL	12	200	M 6	-	60	44	12	12	103
GN 425.1-AL-12-200-SR	12	200	M 6	-	60	44	12	12	100
GN 425.1-AL-12-200-RS	12	200	M 6	-	60	44	12	12	101

GN 425.1-AL-12-200-SW	12	200	M 6	-	60	44	12	12	102
GN 425.1-AL-12-250-EL	12	250	M 6	-	60	44	12	12	115
GN 425.1-AL-12-250-SR	12	250	M 6	-	60	44	12	12	120
GN 425.1-AL-12-250-RS	12	250	M 6	-	60	44	12	12	119
GN 425.1-AL-12-250-SW	12	250	M 6	-	60	44	12	12	120

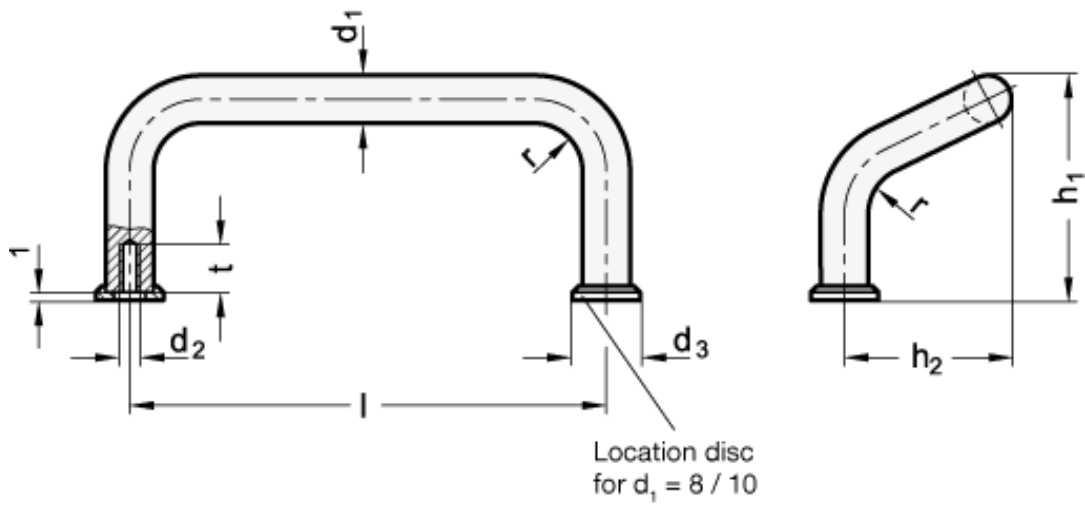


electropolished Electropolished

Matt shot-blasted Matt shot-blasted

GN 425.1-NI

Description	d ₁	l ±0.25	d ₂	d ₃	h ₁	h ₂	r	t min.	Weight
GN 425.1-NI-8-55-EP	8	55**	M 4	12	40	30	9	8	113
GN 425.1-NI-8-55-GS	8	55**	M 4	12	40	30	9	8	58
GN 425.1-NI-8-64-EP	8	64	M 4	12	40	30	9	8	61
GN 425.1-NI-8-64-GS	8	64	M 4	12	40	30	9	8	61
GN 425.1-NI-8-88-EP	8	88	M 4	12	40	30	9	8	70
GN 425.1-NI-8-88-GS	8	88	M 4	12	40	30	9	8	70
GN 425.1-NI-8-96-EP	8	96	M 4	12	40	30	9	8	80
GN 425.1-NI-8-96-GS	8	96	M 4	12	40	30	9	8	100
GN 425.1-NI-8-100-EP	8	100	M 4	12	40	30	9	8	70
GN 425.1-NI-8-100-GS	8	100	M 4	12	40	30	9	8	70
GN 425.1-NI-10-88-EP	10	88	M 5	15	47	35	11	12	113
GN 425.1-NI-10-88-GS	10	88	M 5	15	47	35	11	12	113
GN 425.1-NI-10-100-EP	10	100	M 5	15	47	35	11	12	121
GN 425.1-NI-10-100-GS	10	100	M 5	15	47	35	11	12	121
GN 425.1-NI-10-120-EP	10	120	M 5	15	47	35	11	12	140
GN 425.1-NI-10-120-GS	10	120	M 5	15	47	35	11	12	137
GN 425.1-NI-10-180-EP	10	180	M 5	15	47	35	11	12	140
GN 425.1-NI-10-180-GS	10	180	M 5	15	47	35	11	12	176
GN 425.1-NI-10-200-EP	10	200	M 5	15	47	35	11	12	189
GN 425.1-NI-10-200-GS	10	200	M 5	15	47	35	11	12	189
GN 425.1-NI-12-125-EP	12	125	M 6	-	60	44	12	12	220
GN 425.1-NI-12-125-GS	12	125	M 6	-	60	44	12	12	220
GN 425.1-NI-12-160-EP	12	160	M 6	-	60	44	12	12	252
GN 425.1-NI-12-160-GS	12	160	M 6	-	60	44	12	12	250
GN 425.1-NI-12-200-EP	12	200	M 6	-	60	44	12	12	330
GN 425.1-NI-12-200-GS	12	200	M 6	-	60	44	12	12	286
GN 425.1-NI-12-250-EP	12	250	M 6	-	60	44	12	12	400
GN 425.1-NI-12-250-GS	12	250	M 6	-	60	44	12	12	330



Stainless steel A4 Stainless steel A4

GN 425.1-A4

Description	d_1	$l \pm 0.25$	d_2	d_3	h_1	h_2	r	t min.	Weight
GN 425.1-A4-10-88-GS	10	88	M 5	15	47	35	11	12	119
GN 425.1-A4-10-100-GS	10	100	M 5	15	47	35	11	12	127
GN 425.1-A4-10-120-GS	10	120	M 5	15	47	35	11	12	139
GN 425.1-A4-10-180-GS	10	180	M 5	15	47	35	11	12	181
GN 425.1-A4-10-200-GS	10	200	M 5	15	47	35	11	12	170

** suitable for 19" rack and enclosure layout